

(optional)



**Pressure Tank**  
(PT-tank02)

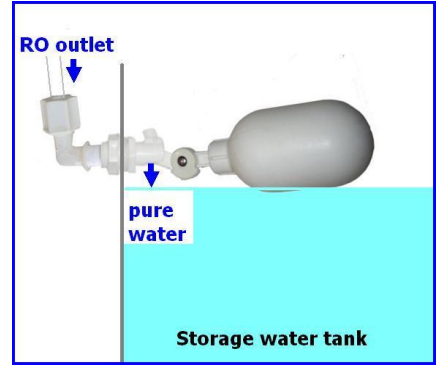
## Pure Water Outlets (optional)



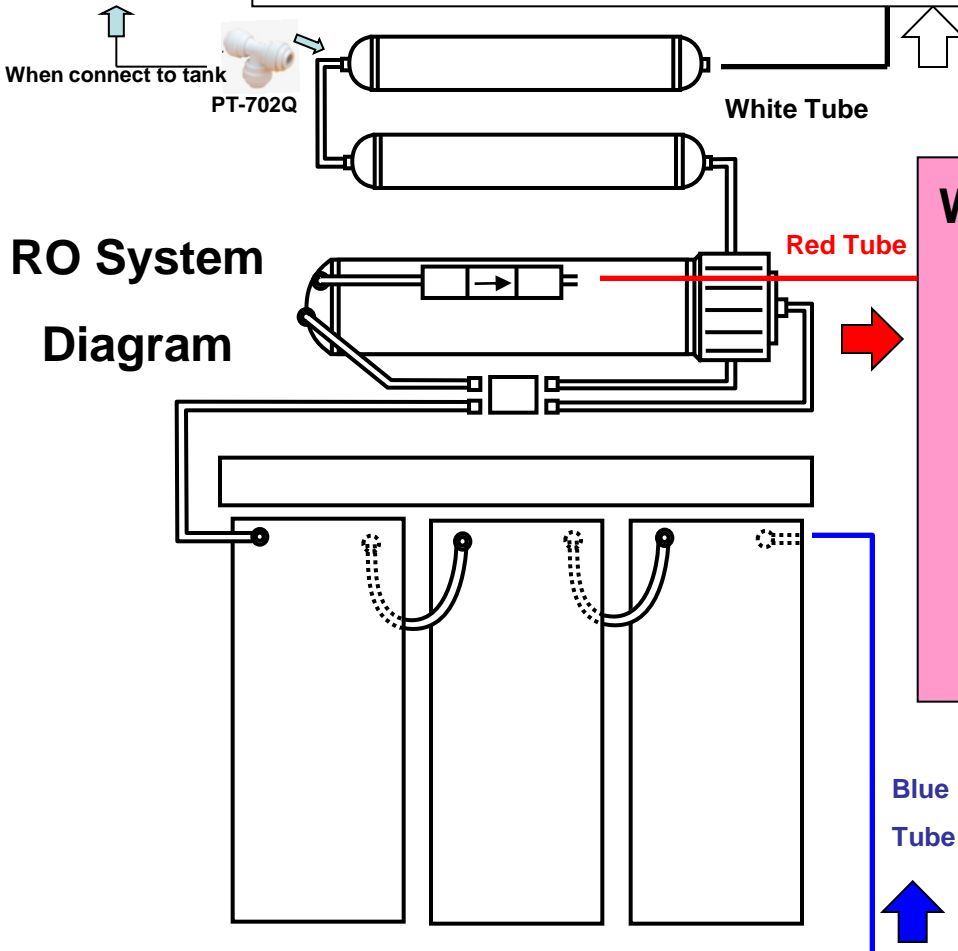
**Ice Maker**  
(PT-icemaker)



**Faucet**  
(PT-FAU)



**Float Valve**  
(PT-FV)



## Waste Water Outlet



**Drain Saddle Valve**

## Tap Water Feeders (optional)



**Under Sink**  
(PT-310)



**Garden Hose**  
(PT-Q34A)

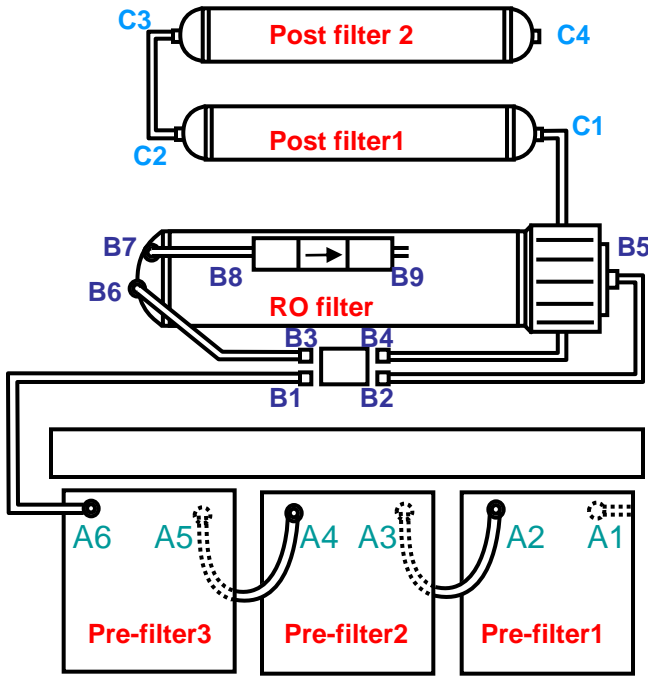


**Bathroom Faucet**  
(PT-aerator-Q)



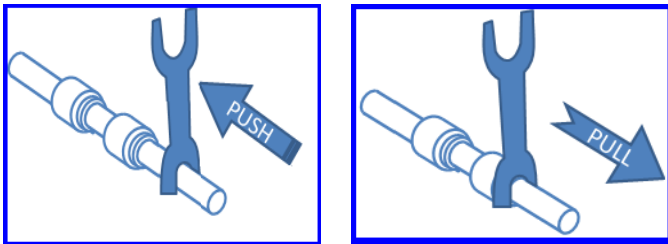
**Shower Head**  
(PT-3way)

# Whole RO System Quick Connectors Diagram



- A1~ A6: 4040Q
- B1~B4: Auto Shut Off Valve
- B5: 4040Q
- B6: Check Valve
- B7: 1144Q
- B8 ~ B9: Flow Restrictor
- C1 ~ C4: 4040Q

## The Quick Connector Connect / Disconnect Quick View

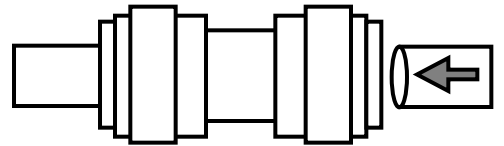


To connect standard quick push-in fittings:

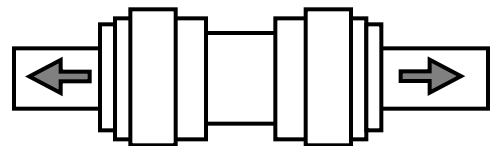
- (1) If there is a blue C ring on it, remove it first.
- (2) Insert tube all the way into the socket.
- (3) Pull the tube to check security.

To disconnect standard quick push-in fittings:

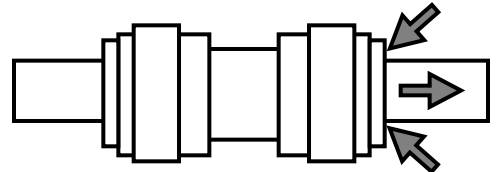
- (1) If there is a blue C ring on it, remove it first.
- (2) Push in the collet, at the same time,



**Push up to tube stop**



**Pull to check secure**



**To disconnect**

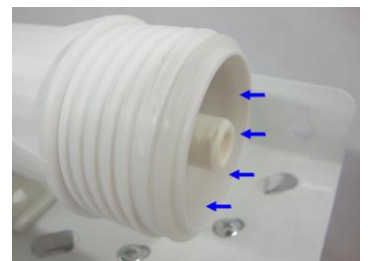
## The RO Membrane Installation Quick View



Remove tube from RO housing



2 black rings go in first



must be inserted completely

**Warning: Do not connect to hot water supply; must flush membrane before use the water**

# Tap Water Feeders Installation Quick View

## For Under Sink (PT-310) 1/2" Hose Adapter (default)



## For Garden / Laundry Hose (PT-Q34A) 3/4" Hose Adapter (optional)



## For Bathroom Faucet (PT-aerator-Q) 55/64"-27 or 13/16"-27 Faucet Aerator (optional)



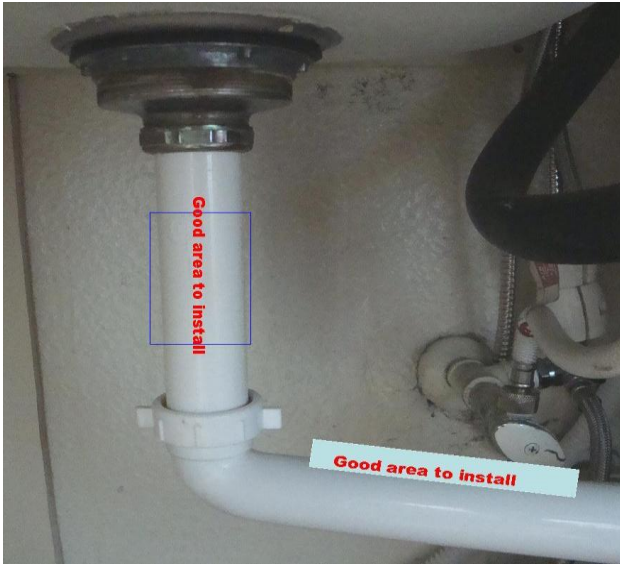
Take off aerator parts

## For Shower Head (PT-3way) 1/2" Hose Adapter (optional)



PT-3way

## The Drain Saddle Valve Installation Quick View



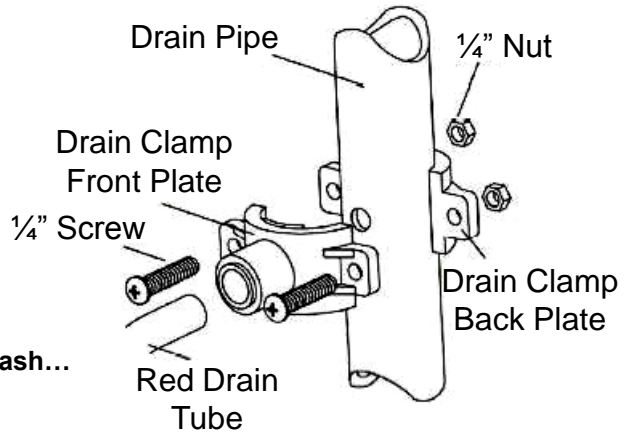
Remember you **MUST** match the hose opening with the drilled hole, screw saddle valve together tightly.

Drill a 0.3-0.4 mm hole on the drain pipe

**DO NOT** drill hole on the bottom of the pipe

RO waste water must attached into drain pipe, or collected for other purposes such as watering, car wash...

**DO NOT** lead waste water back to water supply



## The Pressure Water Tank Installation Quick View (optional)

The pressure water tank contains a rubber bladder inside, so water may taste strange. For the first time using the tank, please fill it fully with water then drain it out at least 3 times.



Opening on the top and valve



Screw in the valve

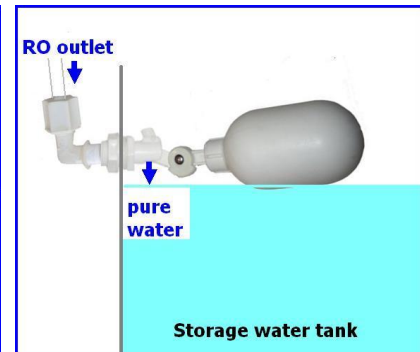
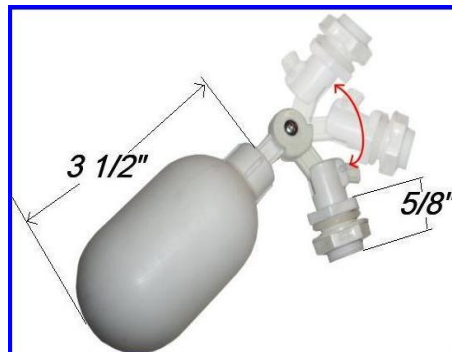
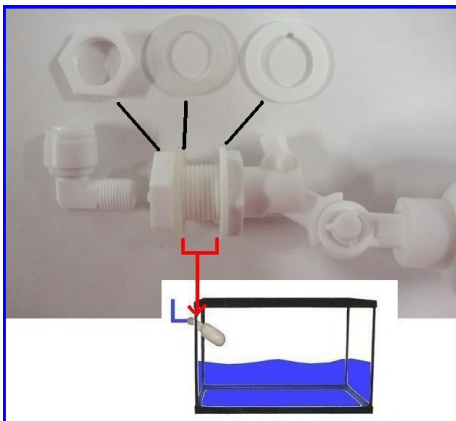


Valve open position



Valve close position

## The Floating Valve Installation Quick View (optional)



➔ Floating valve can be adjusted by using a screw driver to any angle you want. Drill a hole on the tank where you want the water line to be reached.

## Lead-Free Chrome Long Reach Faucet Installation Quick View (optional)



Standard Assembled



With Quick Fitting Assembled



(PT-Qfaucet)

(Can be purchased at our store)

Most sinks have an extra hole for the mounting of additional faucets, sprayers or soap dispensers. If your sink does not already have an additional hole, you may need to drill 1" hole on the countertop. Carefully mark the faucet location, making sure it is far away enough from the regular water faucet so that they don't interfere with each other. Look to see if you can tighten the lock nut from below, before you drill a hole. Once the hole is prepared, assemble all parts together.

## The Ice Maker Connection Installation Quick View (optional)



PT-icemaker



Opening adapter on back of refrigerator.



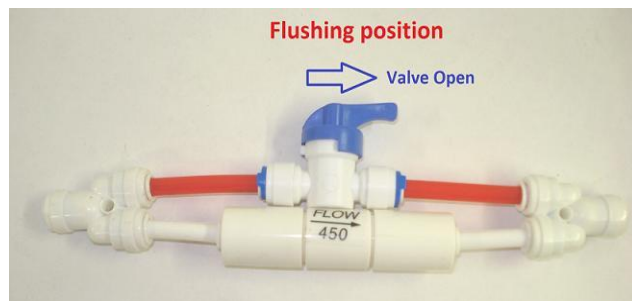
Just screw on the fitting and complete

## Other Optional Accessories Installation Quick View (optional)



(PT-150PSI)

Put it before the RO to see if you have good pressure



(PT-FlushKit)

Quickly flush the RO system when finish install. Turn on the valve once per month. Flush the valve for 5 minutes to reach perfect performance



(PT-regulator)

Install regulator when incoming pressure is over than 85 PSI

## WARNING

Prepare plumbing tools such as wrenches, screwdriver, Teflon tape, protecting eye-glasses....

Only connect the RO with cold water and a clean water source, NO sea water.

Recommended water source TDS reading not to exceed 1000 PPM.

The RO system should never be placed under direct sunlight or under freezing temperatures if it is placed outside.

Maximum: 113°F Minimum: 33°F

35 PSI minimum is required for the RO to operate, at 65 PSI 25°C is best.

If the pressure of the incoming tap water is too low (less than 35 PSI) A booster pump is required.

If water pressure exceeds 85 PSI, a pressure regulator (PT-regulator) must be installed.

The installer is responsible for any leaks resulting from installation of tube or related fittings.

Must check over the entire unit completely while under pressure to ensure unit is not leaking and functioning properly.

Please flush the whole RO system at least 10-15 Gallons, or drain out the water tank at least 3 times.

RO comes with an Auto shut off valve. An auto shut-off valve only works with a float valve, or any CLOSED container such as a pressure tank, an ice maker, etc. If the container is not closed, then you have to turn off the incoming water manually.

All RO will have to create waste water. Most RO system are designed for 1 : 3.5 - 4.5 as standard.

We used 450 Flow Restrictor, the ratio to pure and waste water=1:3

Replace all pre-filters and post-filters per 6-12 month depends on the water source's quality.

Replace membrane per 1-2 years.

Change the DI filter per 500 Gallons.

## Trouble Shooting

**Q:** Pure water does not flow out, there is only dripping?

**A:** Make sure you have enough pressure (more than 35PSI) to operate the RO and a straightened tube (not kinked).

**Q :** System produces less pure water than it produces waste water?

**A:** This is normal; the ratio for the pure water and waste water should be 1:3.

**Q :** System produces more pure water than it produces waste water?

**A:** You may have wrong connecting, please re-check our diagram on the first page.

**Q:** Pure water tastes weird, sulfuric, fishy, etc; water is yellow or black?

**A:** DI water is no good for human drinking; carbon filter must be added to improve taste. Be sure that you completely flush whole RO system with at least 10-15 gallons of water.

**Q:** The DI water does not reach 0 PPM?

**A:** We guarantee you reach 0 PPM water with your DI filter. When your water source has less than 300 PPM, try to reduce the water pressure; a high water pressure will make the water flow out too quickly without allowing enough time for it to filter through.

**Q:** Is it normal if the RO system makes noise from its auto shut-off valve?

**A:** Check your water pressure; if you use a booster pump, set it to 60-65 PSI.

**Q:** The drain water never shuts off?

**A:** An auto shut-off valve only works with a float valve, or any CLOSED container such as a pressure tank, an ice maker, etc. If the container is not closed, then you have to turn off the incoming water manually.

**Q:** Leaking problem?

**A:** First at all, check the leaking from the thread (the screw on the housing side) or from the tube-plug-in side. If leaking is from thread side, please apart the fitting and add more Teflon tape on it, then re-screw it into the housing.

If leaking is from tube-plug-in side, cut off a small piece from the end, because the end could be slanted, twisted, or deformed. Please disconnect the tube and re-push the tube all the way into the socket. If the tube is not long enough, replacing a new tube can usually solve the leaking problem.